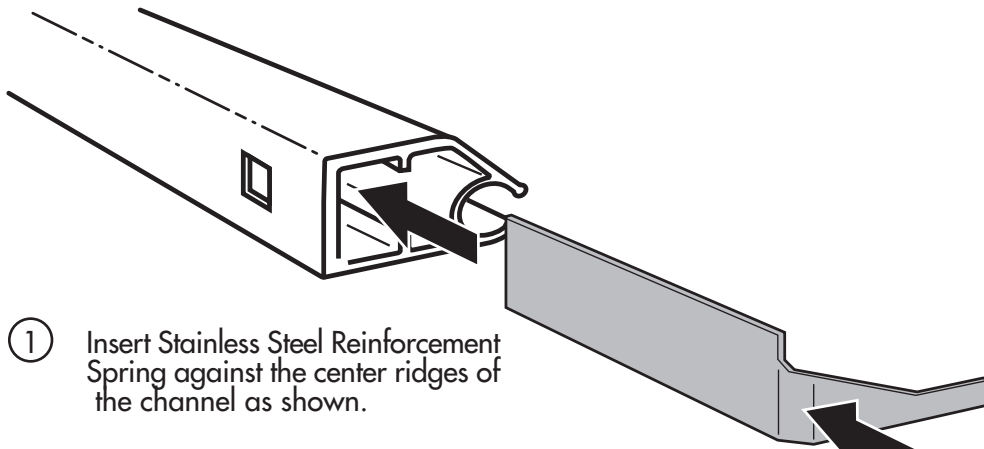
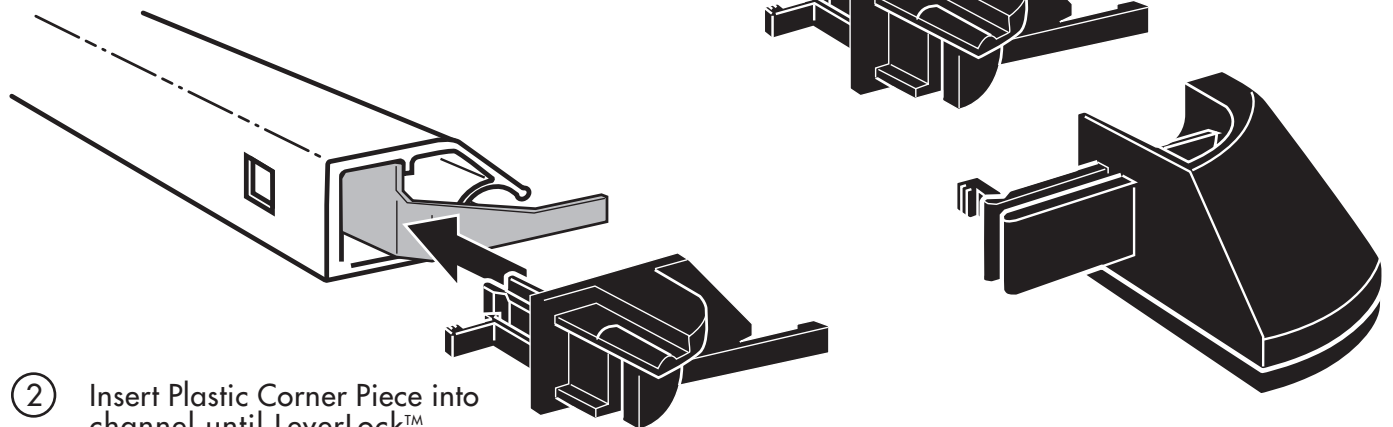


TUFF TONNO™

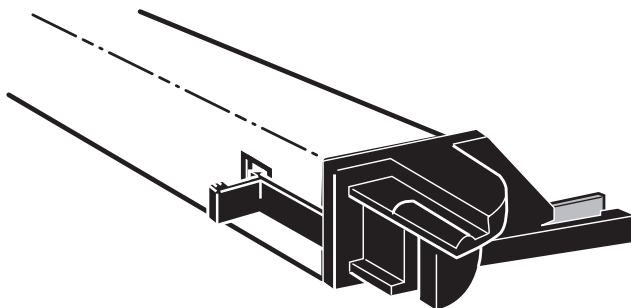
Tailgate Reinforcement Spring



- ① Insert Stainless Steel Reinforcement Spring against the center ridges of the channel as shown.



- ② Insert Plastic Corner Piece into channel until LeverLock™ catches as shown.



Repeat the procedure at the opposite end if necessary.
(Note: There is a left and right side spring and corner.)

extang
AMERICA'S BEST
SELLING TONNEAUS

Extang Corporation
1901 E. Ellsworth Rd.
Ann Arbor, MI 48108
734 677-0444, Fax: 734 677-8409

Register your warranty at:
www.extang.com

Item No. 0021-0708 RH Printed in U.S.A.