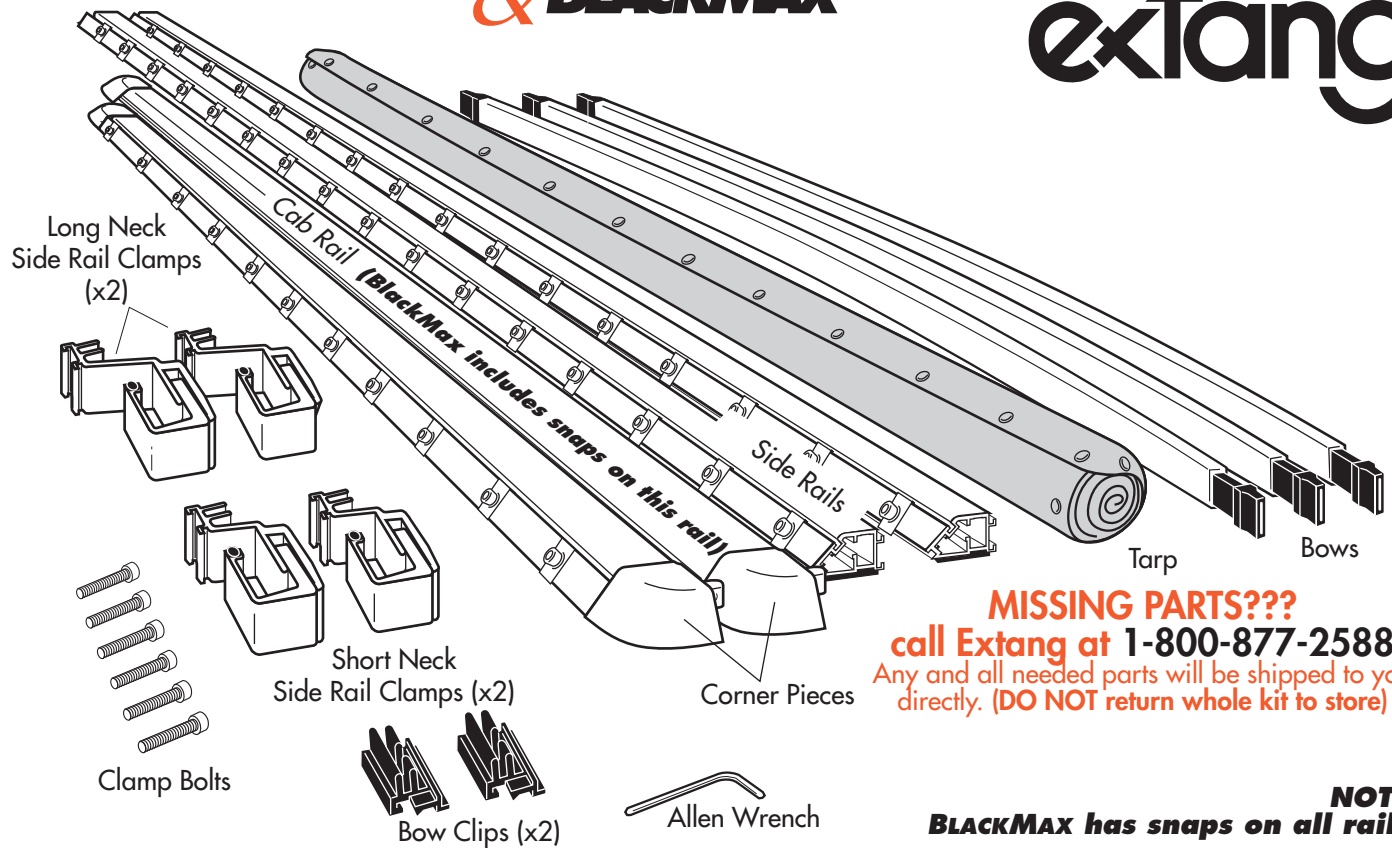


INSTALLATION SHEET - F150 Super Crew



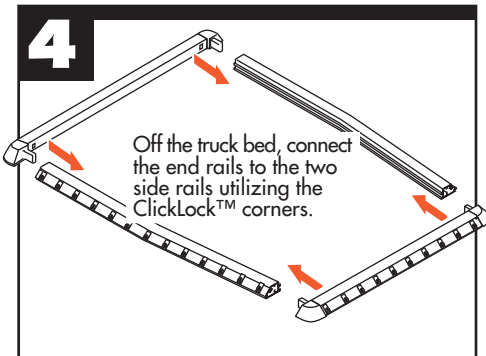
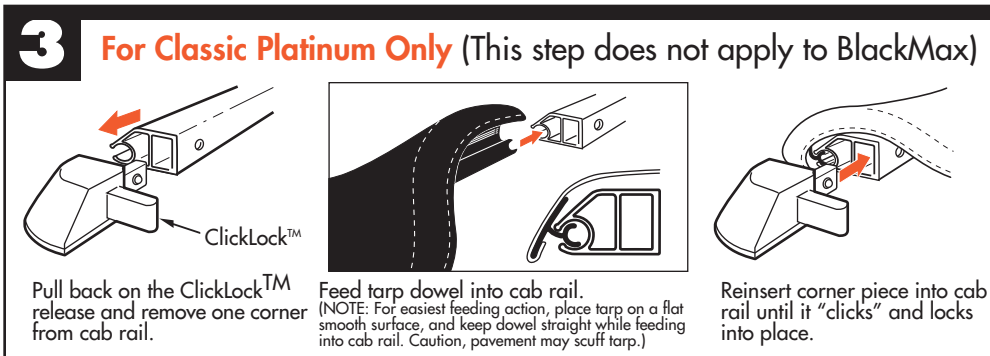
CLASSIC
PLATINUM & BLACKMAX™



MISSING PARTS???
call Extang at **1-800-877-2588**
Any and all needed parts will be shipped to you directly. (DO NOT return whole kit to store)

NOTE:
BLACKMAX has snaps on all rails.

PARTS INCLUDED IN YOUR KIT. You may want to lay them out in this manner for accessibility.

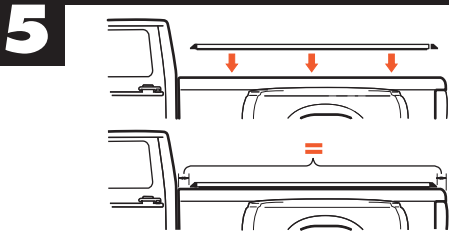


extang
Stands for Quality

Extang Corporation
1901 E. Ellsworth Rd.
Ann Arbor, MI 48108
734 677-0444, Fax: 734 677-8409

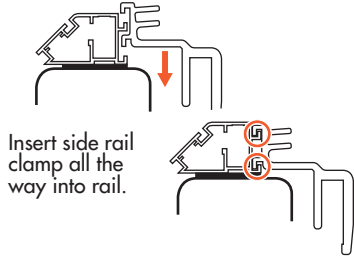
Visit us at:
www.extang.com

Item No. 0023-0501 Printed in U.S.A.



5 Place the rail assembly over the side of the truck box. Center rails evenly between cab and tailgate. (NOTE: Some applications have hard rubber risers (square rubber pad.) A riser must go toward tailgate. Some applications will have a riser at both ends, (most have no riser).

Note: For over-the-rail bed liners first refer to Diagrams A and B below.
(Also see Extang Bedliner Supplement #0031)

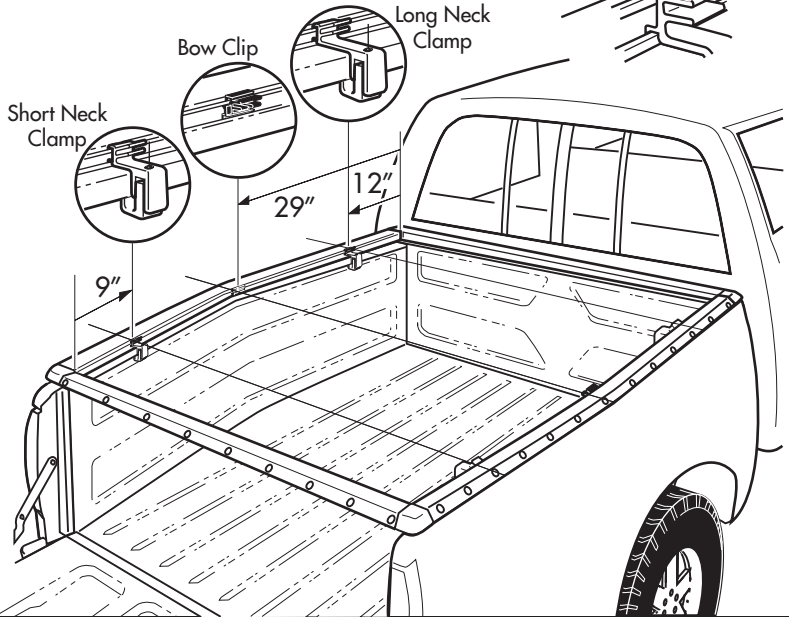


Insert side rail clamp all the way into rail.

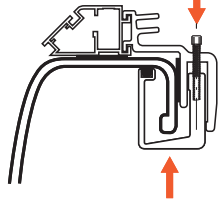
6 Side Rail Clamp Spacing (Same for each side)

See the stickers located on each side rail for clamp position, or refer to the dimensions given below.
Note: Remove stickers after installation.

Place Clamp Here
STICKER

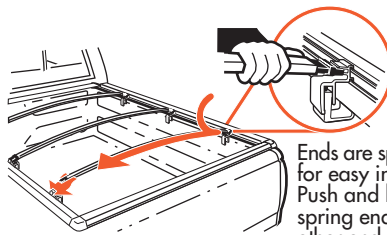


7 STANDARD CLAMP

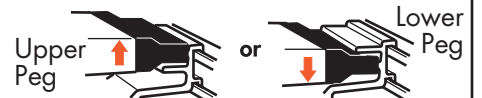


Attach "U" clamp to side rail clamp with allen bolt. Insert side rail clamp all the way into rail.

8 Insert bow onto top or bottom peg.
(Top peg for performance, Bottom for good looks.)



Ends are spring loaded for easy installation. Push and hold on spring end and let the other end slide on with the spring action.

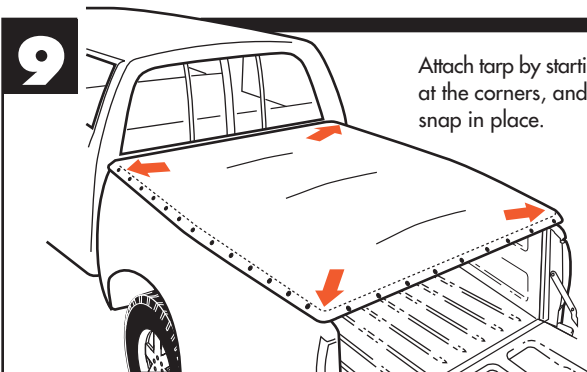


SPECIAL FEATURE:
Two pegs offer two height adjustments.



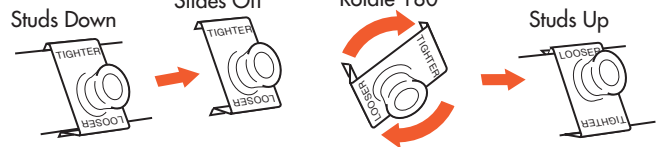
Do Not Place Between the Pegs

9



Attach tarp by starting at the corners, and snap in place.

SPECIAL FEATURE Weather-adjustable Snaps



SUMMER SETTING
Takes up slack in tarp caused by warm weather.

WINTER SETTING
Allows more slack in tarp for cold temperatures.

For an OVER-THE-RAIL Bedliner

DIAGRAM **A**

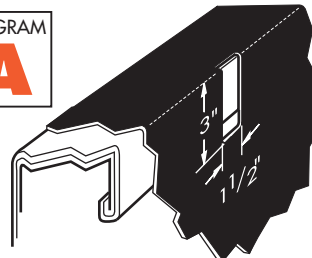


DIAGRAM **B**



For each clamp mark on your bedliner a 1-1/2" x 3" hole as shown above. Remove clamp. Cut holes in bedliner. Reinsert side rail clamp. Return to step 6.

Side rail clamped to bed with bow attached.