

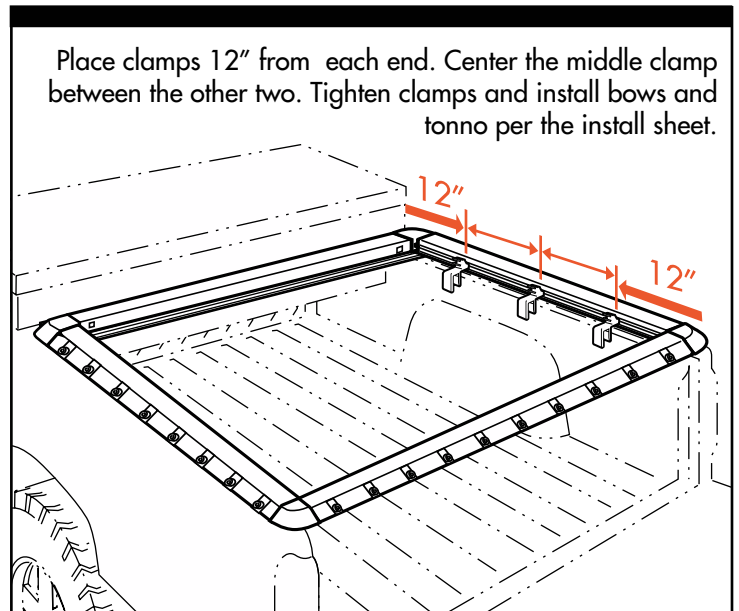
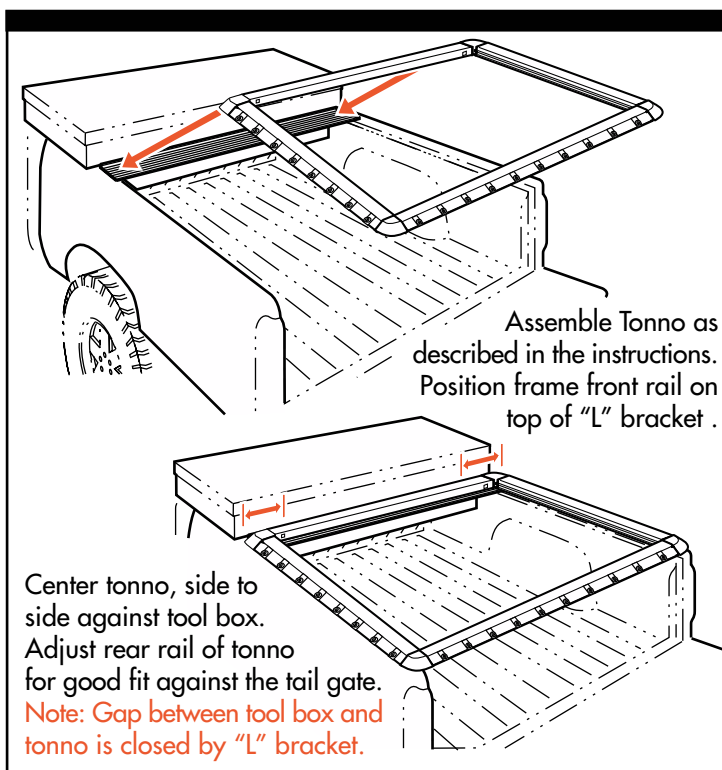
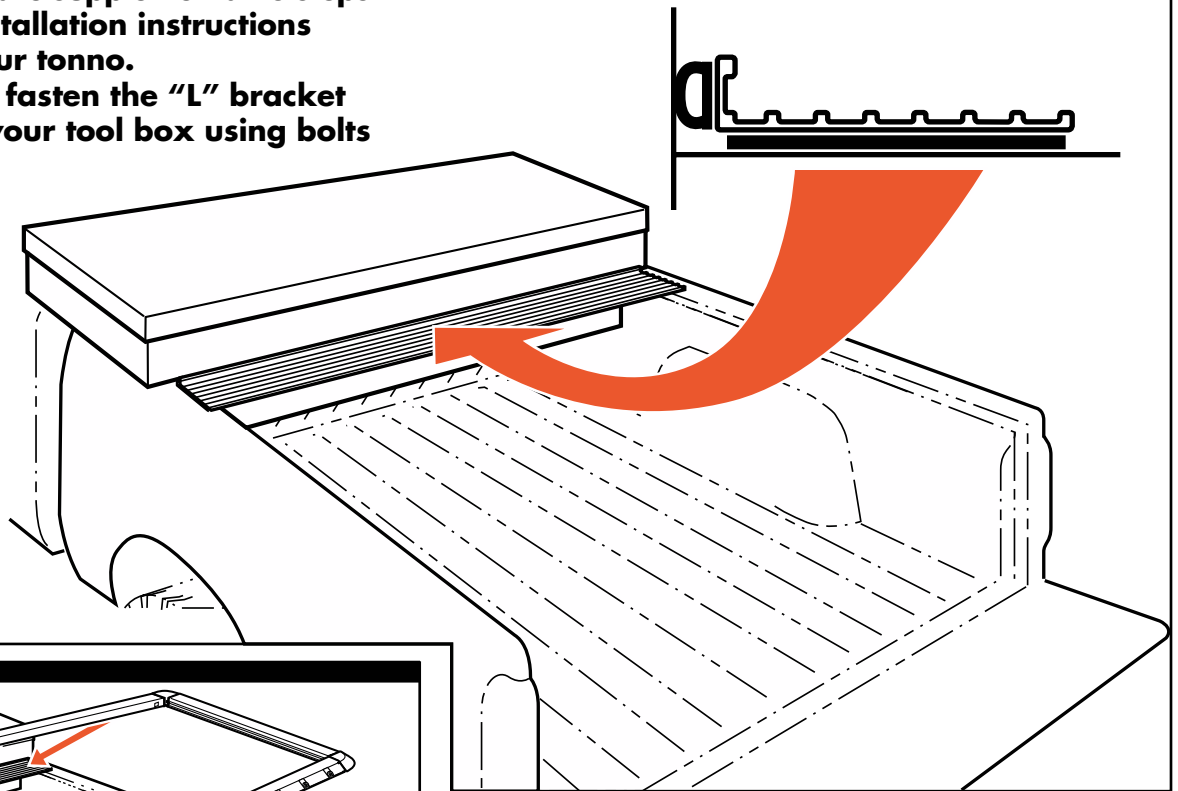
TOOL BOX TONNO

SPECIAL ORDER

SUPPLEMENT to INSTALLATION INSTRUCTIONS

NOTE: These instructions are for adding a tonno to an existing truck tool box installation. They are supplemental to steps in the regular installation instructions included with your tonno. You may wish to fasten the "L" bracket permanently to your tool box using bolts and screws.

Place L bracket against tool box with foam seal between the bottom of the L and truck bed.



extang
Stands for Quality

Extang Corporation
1901 E. Ellsworth Rd.
Ann Arbor, MI 48108
734 677-0444, Fax: 734 677-8409

Visit us at:
www.extang.com

Item No. 0123RH-0703