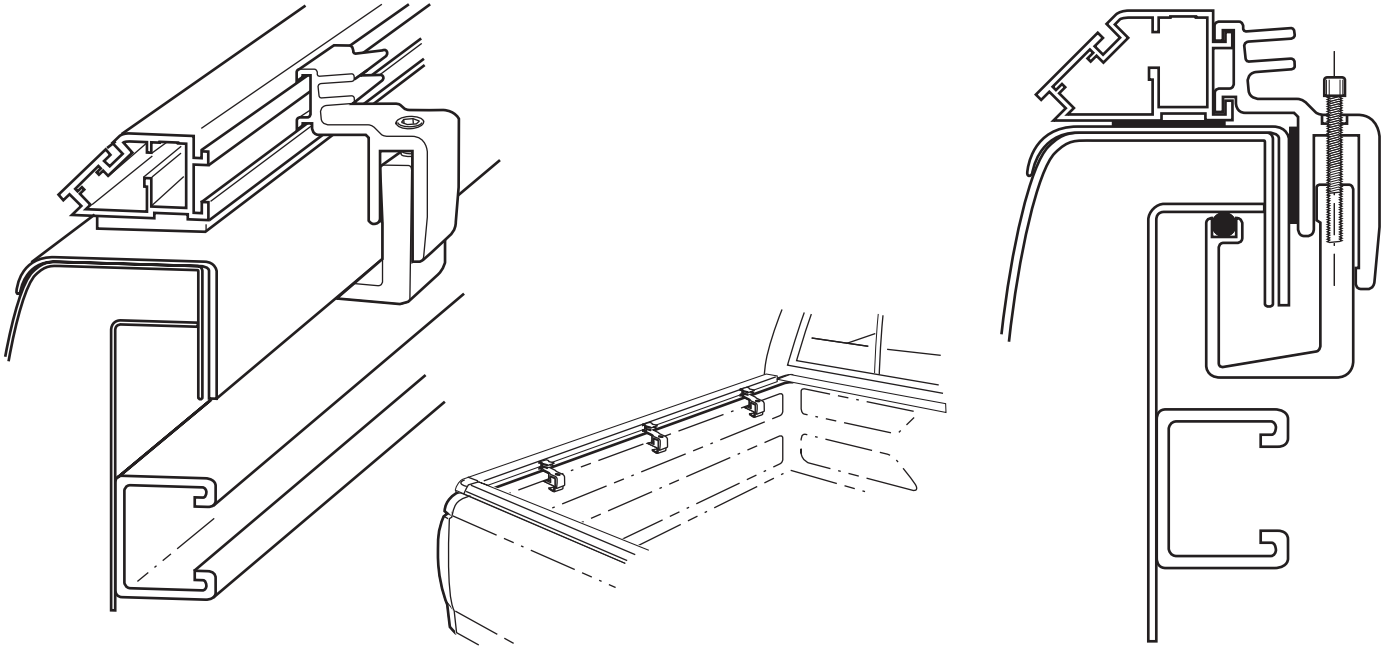


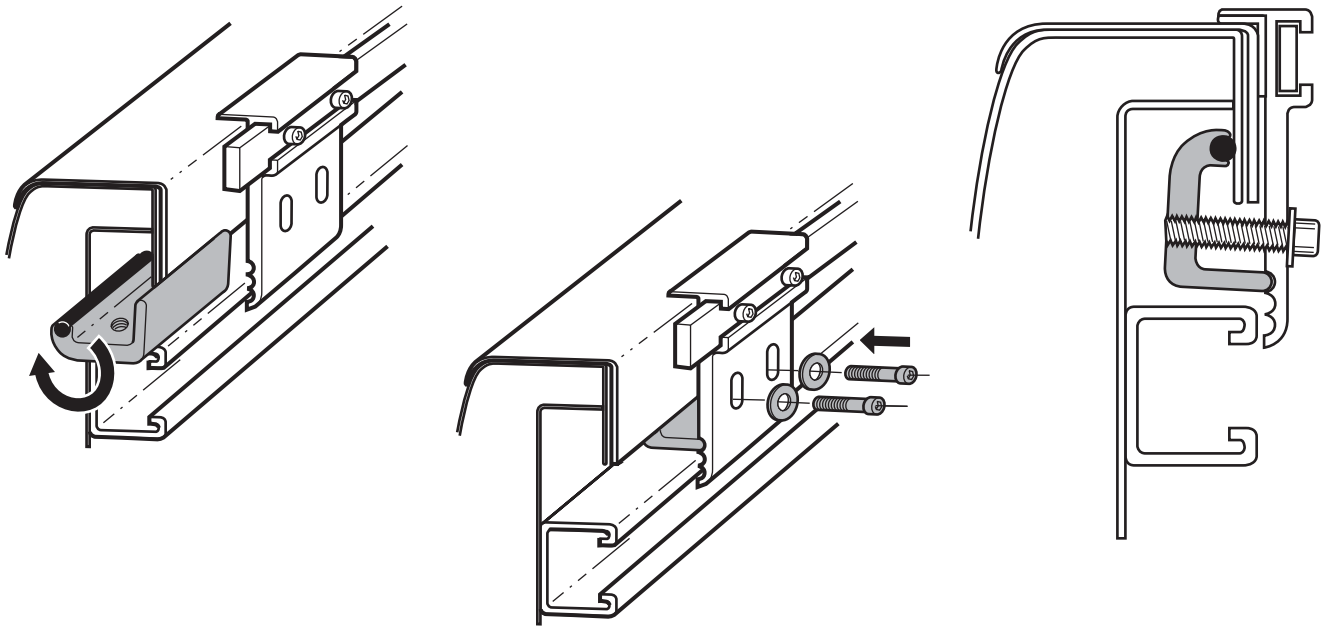
Alternative Brackets for Nissan Frontier 2005-

SUPPLEMENT to INSTALLATION INSTRUCTIONS

INSTALLATION for CLASSIC, BLACK MAX, TUFFTONNO III, SABER TONNOS



INSTALLATION for FULLTILT TONNO



extang
Stands for Quality

Extang Corporation
1901 E. Ellsworth Rd.
Ann Arbor, MI 48108
734 677-0444, Fax: 734 677-8409

Visit us at:

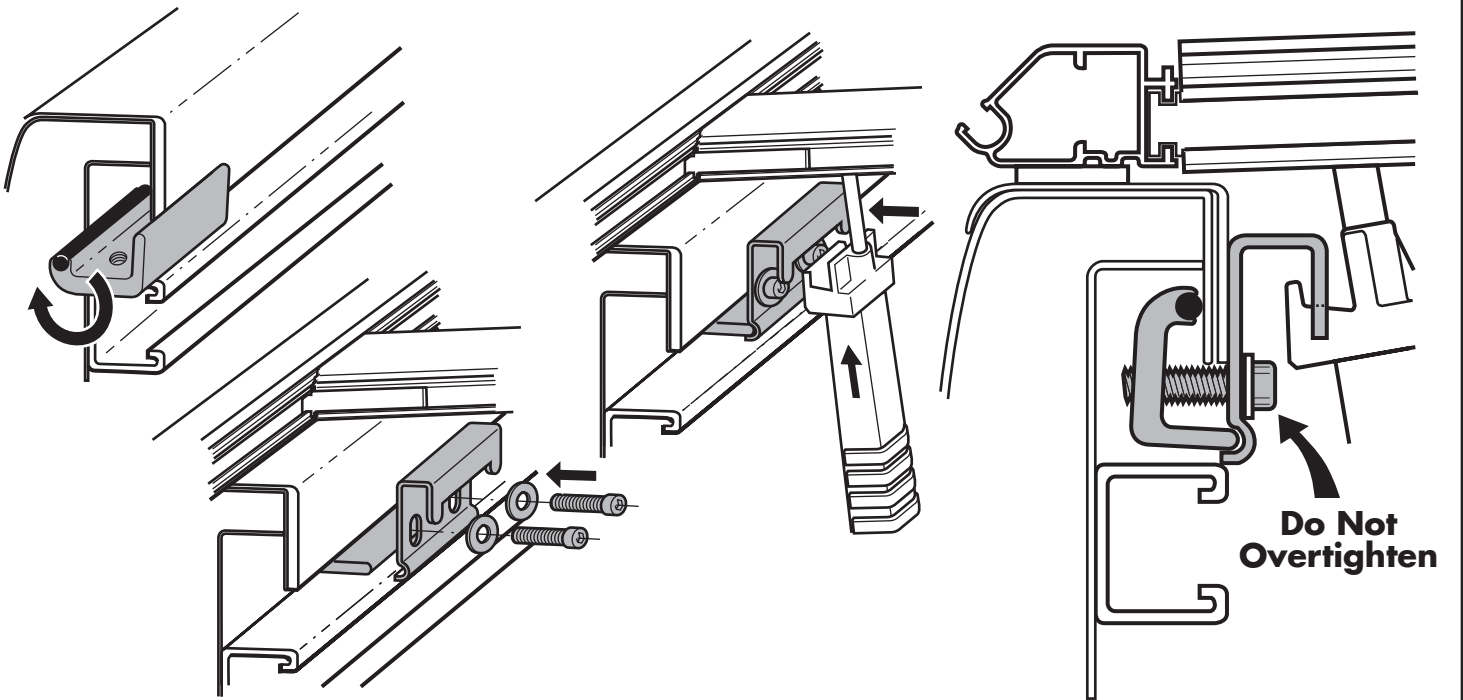
www.extang.com

Item No. 0156-0705 RH Printed in U.S.A.

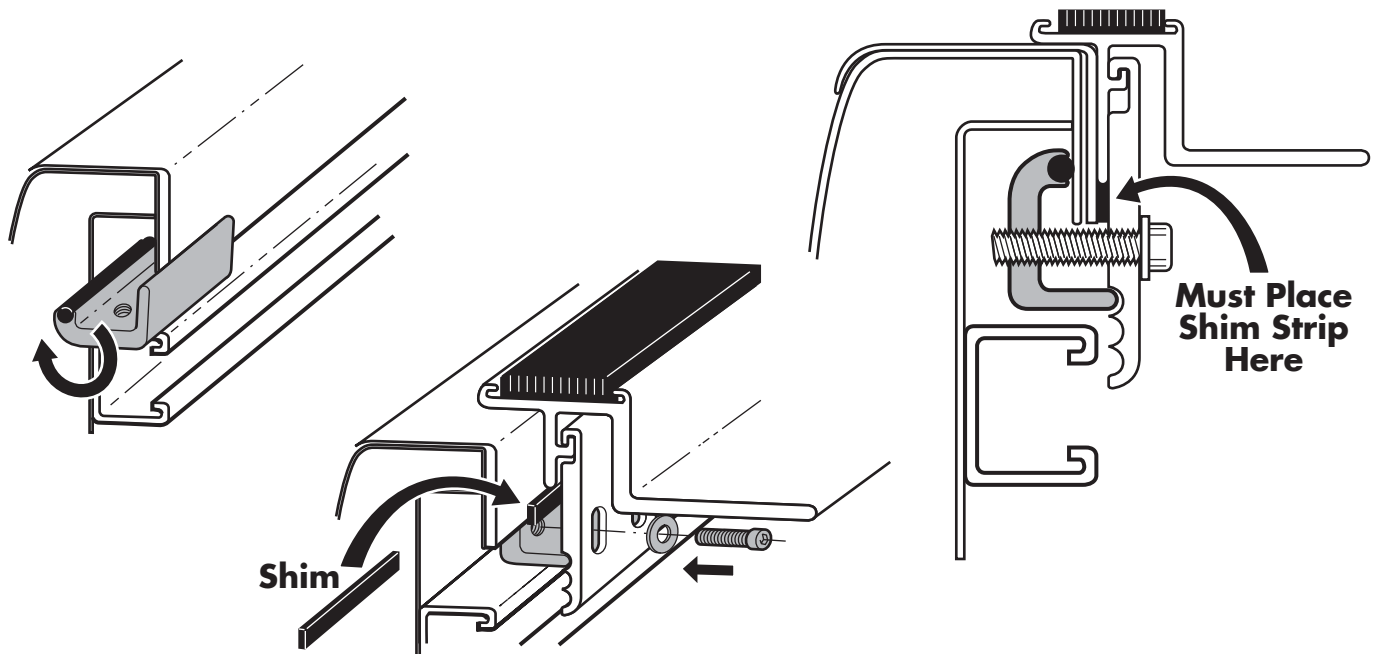
Alternative Brackets for Nissan Frontier 2005-

SUPPLEMENT to INSTALLATION INSTRUCTIONS

INSTALLATION for TRIFECTA TONNO



INSTALLATION for EXTANG RT TONNO



extang
Stands for Quality

Extang Corporation
1901 E. Ellsworth Rd.
Ann Arbor, MI 48108
734 677-0444, Fax: 734 677-8409

Visit us at:

www.extang.com

Item No. 0156-0705 RH Printed in U.S.A.